

Fastening units

for adjustable slide units GN 900

SPECIFICATION

Types

- Type **A**: with bore for cap screw
- Type **B**: with threaded bore d2

Aluminium
anodized, natural colour

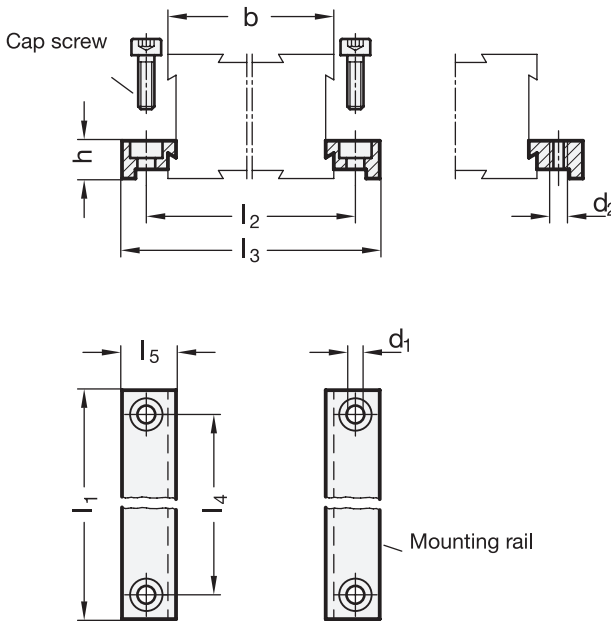
Socket head cap screw DIN 912
Stainless Steel

INFORMATION

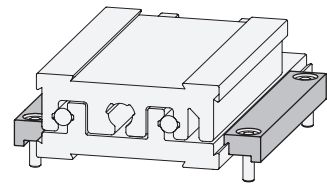
Fastening units GN 900.1 are fitted to the base of the adjustable slide units GN 900 (see page 668) from the operator's side.

The mounting is made on the outside ledge of the slide so that the inner slide can still be moved.

A fastening unit GN 900.1 consists of two mounting rails. Four Stainless Steel-cap screws are included.



Mounting example



GN 900.1

Description	b Size of the slide	l1	d1	d2	h	l2	l3	l4	l5	⚖
GN 900.1-30-41-A	30	41	2.7	M 2.5	4.2	35.4	41	35.4	6.5	7
GN 900.1-50-67-A	50	67	3.3	M 3	7	58	67	58	10	20
GN 900.1-80-105-A	80	105	4.5	M 4	12.5	92	105	92	14.5	84
GN 900.1-120-145-A	120	145	5.5	M 5	13.8	131.8	145	131.8	14.5	134
GN 900.1-30-41-B	30	41	2.7	M 2.5	4.2	35.4	41	35.4	6.5	8
GN 900.1-50-67-B	50	67	3.3	M 3	7	58	67	58	10	24
GN 900.1-80-105-B	80	105	4.5	M 4	12.5	92	105	92	14.5	87
GN 900.1-120-145-B	120	145	5.5	M 5	13.8	131.8	145	131.8	14.5	138